



ETO series LED Omnidirectional Elevated Lights

- TE/E Taxiway Edge

COMPLIANCE

- ICAO • Annex 14 Volume I
- EASA • CS-ADR-DSN
- IEC • TS 61827
- FAA • AC 150/5345-46
 - EB No. 67
- NATO • STANAG 3316
- AENA • DIN/DSEYN/PPT/017
- Canada • TP 312
- Australia • MOS 139
- CAAC • AC-137-CA-2015-01-R1
 - AC-137-CA-2015-03-R1

FEATURES

- Adaptable to all kinds of CCRs and ILCMS systems
- PWM digital regulation providing excellent consistency of chromaticity
- Two-tier optical lens bringing excellent luminance consistency
- High pressure precision casting aluminum alloy light body with anti-UV coating
- Built-in surge protection

TECHNICAL DATA



MECHANICAL

Baseplate Mounting Holes • 3xØ12 Net Weight • 1.2kg Gross Weight (2 pack) • 2.6kg
 Packing Dimensions (2 pack) • 300mm (L) x 243mm (W) x 115mm (H)



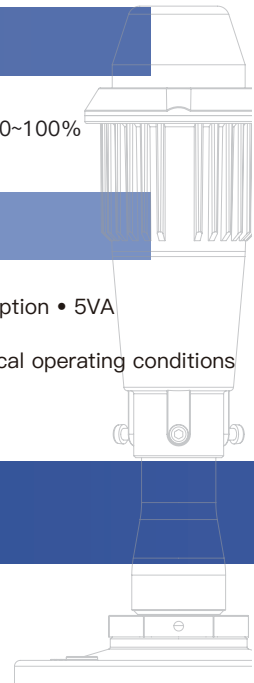
ENVIRONMENTAL

Operating Temperature • - 55°C~+55°C Storage Temperature • - 55°C~+85°C Protection Class • IP67 Humidity • 0~100%

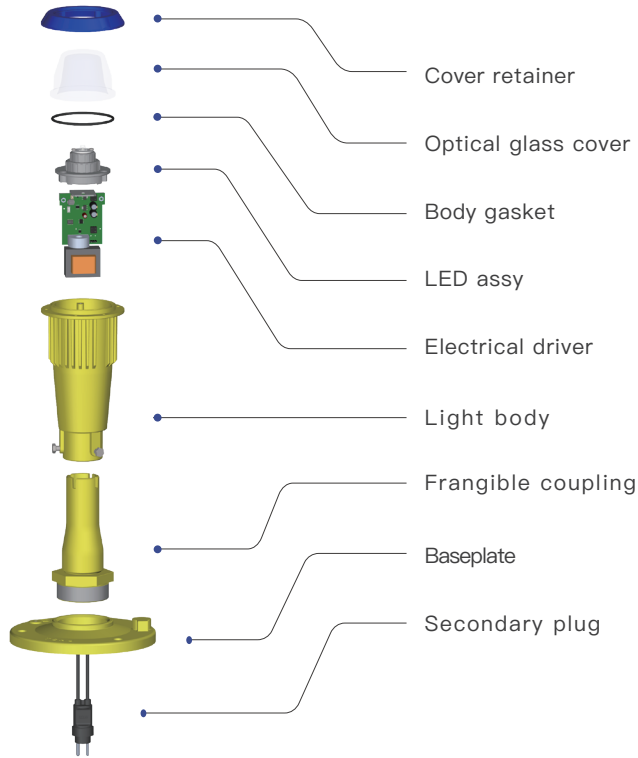


ELECTRICAL

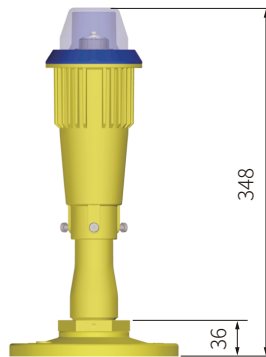
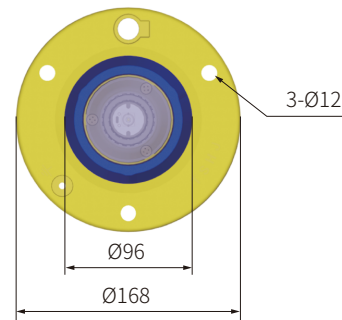
Connection • FAA L-823 Rated Input Current • 6.6A/2.2A Power Factor • >0.9 Power Consumption • 5VA
 Emission • IEC 61000-6-4 Immunity • IEC 61000-6-2 LED Lamp Life • Over 100,000 hours in typical operating conditions



COMPONENTS



DIMENSIONS

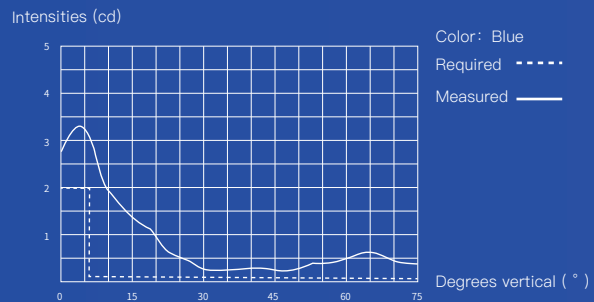


ACCESSORIES

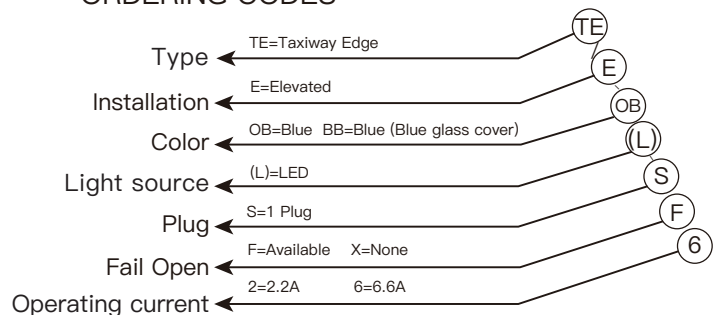
- ◎ Baseplate (168mm OD)
- ◎ Baseplate (240mm OD)
- ◎ Baseplate (300mm OD)
- ◎ 2-1 inches frangible coupling
- ◎ L-823 receptacle

PHOTOMETRICS

「 Taxiway Edge 」



ORDERING CODES



* Accessories should be ordered separately